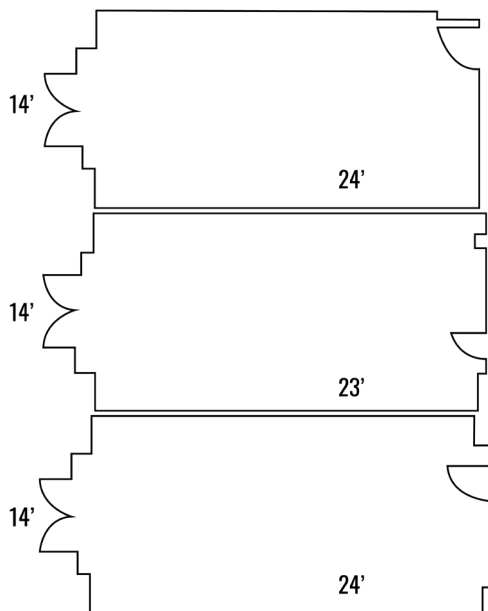


# STUDIO FOUR / FIVE / SIX



Three studios combined, adding extra natural light and space.



Square Footage	1153
Capacity	<ul style="list-style-type: none"> <li>80 - Rounds</li> <li>48 - Half Rounds</li> <li>120 - Reception</li> <li>120 - Theatre</li> <li>64 - Classroom</li> <li>40 - Hollow Square</li> <li>30 - Boardroom</li> <li>35 - U-Shape</li> </ul>
Ceiling Height	10'
Garden Breakout	Yes
Space Notes	<ul style="list-style-type: none"> <li>Built in whiteboard</li> <li>Tackable walls</li> </ul>